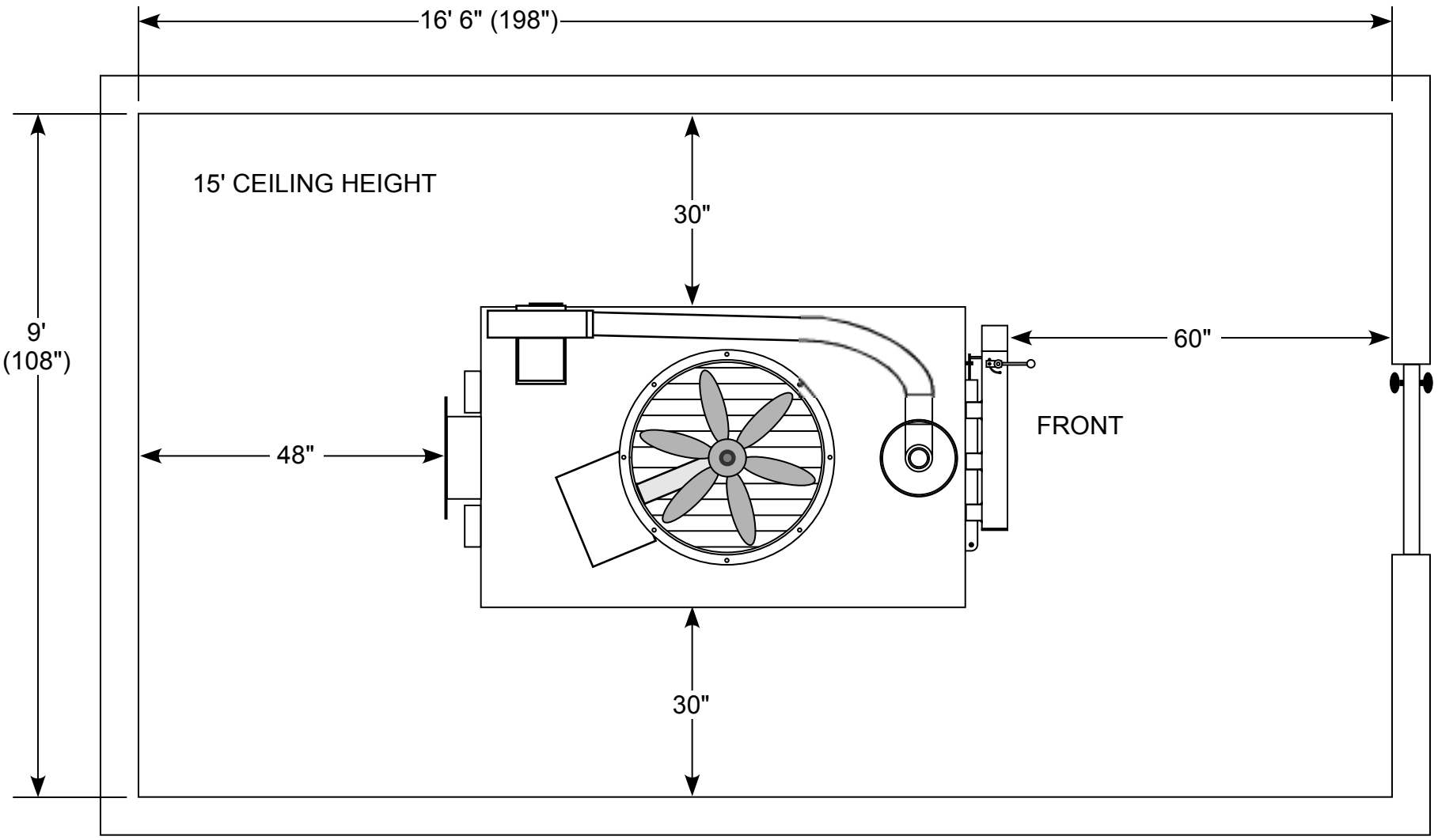


# Biomass Combustion Systems, Inc.



ROOM SHOULD BE INSULATED AND HAVE RETURN AIR FROM THE AREA TO BE HEATED.  
 WHEN USED TO PROVIDE AIR MAKE UP FOR THE PLANT, ROOM MUST HAVE AN OUTSIDE AIR SOURCE.

THIS PRINT IS THE PROPERTY OF BIOMASS COMBUSTION SYSTEMS, INC. AND CONTAINS PROPRIETARY INFORMATION OF BIOMASS COMBUSTION SYSTEMS, INC. AND IS TO BE KEPT CONFIDENTIAL. REPRODUCTION OF ANY PART THERE OF OR USE FOR PURPOSES OTHER THEN THOSE EXPRESSLY DESIGNATED BY BIOMASS COMBUSTION SYSTEMS, INC. IS NOT PERMITTED.

Job:	Scale: 1" = 24"
Dwg.: 36" Shop Heater in room Overhead	Dwg.
Drawn 04/13/07 by RKS	Revised